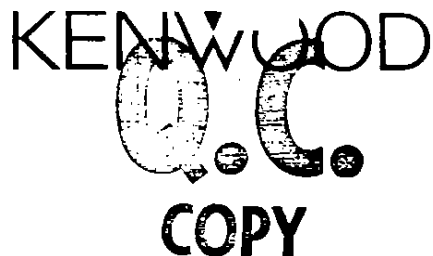


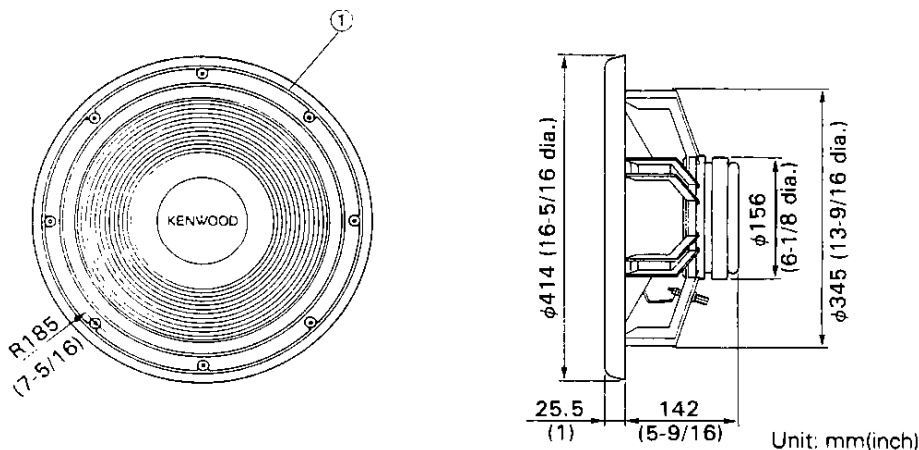
# KFC-W415

## SERVICE MANUAL



©1991-5 PRINTED IN JAPAN  
B51-6328-00(T) 1419

### EXTERNAL VIEW

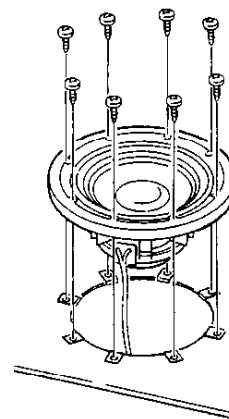


### SPECIFICATIONS

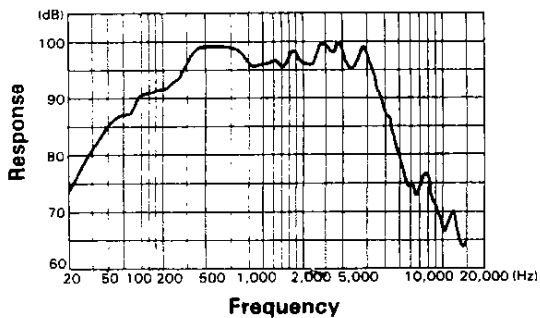
Note: KENWOOD follows a policy of continuous advancements in development. For this reason specifications may be changed without notice.

<b>Subwoofer</b> .....	380 mm (15") Cone Type
<b>Nominal Impedance</b> .....	4 ohms
<b>Peak Input Power</b> .....	500 watts
<b>Rated Input Power</b> .....	170 watts
<b>Sensitivity</b> .....	97 dB/watt at 1 m
<b>Free Air Resonance</b> .....	38 Hz
<b>Frequency Response</b> .....	38 to 4,000 Hz
<b>Recommended Crossover Frequency</b> .....	800 Hz or lower
<b>Dimensions</b> .....	Diameter: 414 mm (16-5/16")
	Height: 25.5 mm (1")
	Depth: 142 mm (5-9/16")
<b>Net Weight</b> .....	5.3 kg (11-1/2 lbs)
<b>Supplied Parts</b> .....	Screws $\phi$ 5 - 40 mm (3/16" dia. - 1-1/2") x 8
	Clip nuts $\phi$ 5 (3/16" dia.) x 8

### INSTALLATION



### FREQUENCY RESPONSE



### PARTS LIST

★ New parts  
Parts without **Parts No.** are not supplied.  
Les articles non mentionnés dans le **Parts No.** ne sont pas fournis.  
Teile ohne **Parts No.** werden nicht geliefert.

Ref No.	New Parts	Parts No.	Description
①	★	T10-0525-08	SPEAKER
-		N99-1197-08	SCREW SET